

CIRCUS STUDIOS

1001

CIRCUS STUDIOS

2024 ©

STUDIOS AND SPACES

1001

MILAN HEADQUARTER IS A DYNAMIC HUB, METICULOUSLY DESIGNED TO FACILITATE CREATIVITY AND INNOVATION. HOUSING FOUR DISTINCT STUDIOS IT BLENDS TRADITIONAL CRAFTSMANSHIP WITH MODERN TECHNOLOGY.

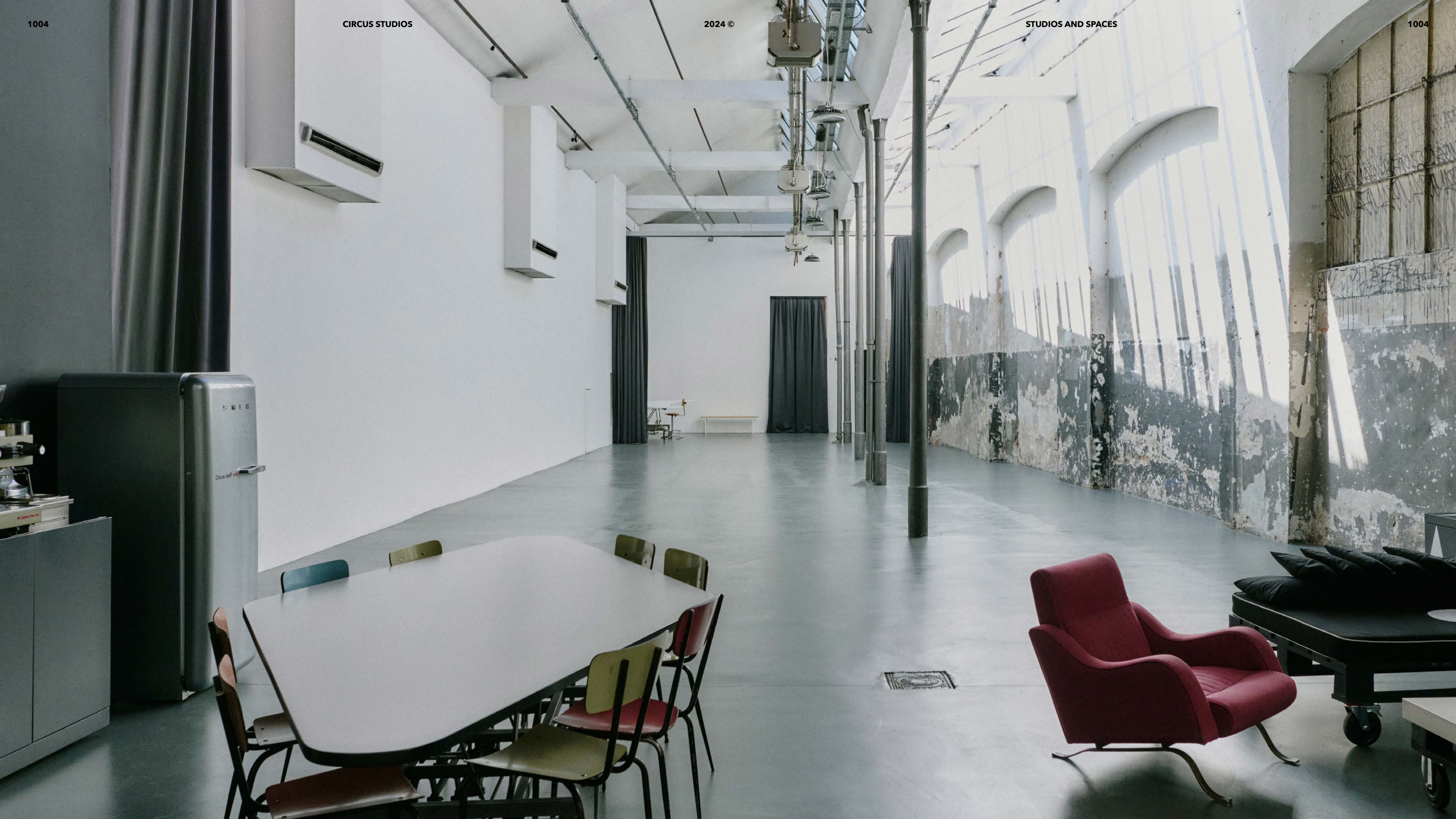
Complemented by a fully-equipped warehouse, a cutting-edge set design facility, and a specialized food lab with a professional kitchen, this multifunctional space spans an impressive 1500 sqm. Here, conventional boundaries are transcended, providing a comprehensive solution tailored to meet the diverse needs of clients and productions.

STUDIO L

CIRCUS STUDIOS

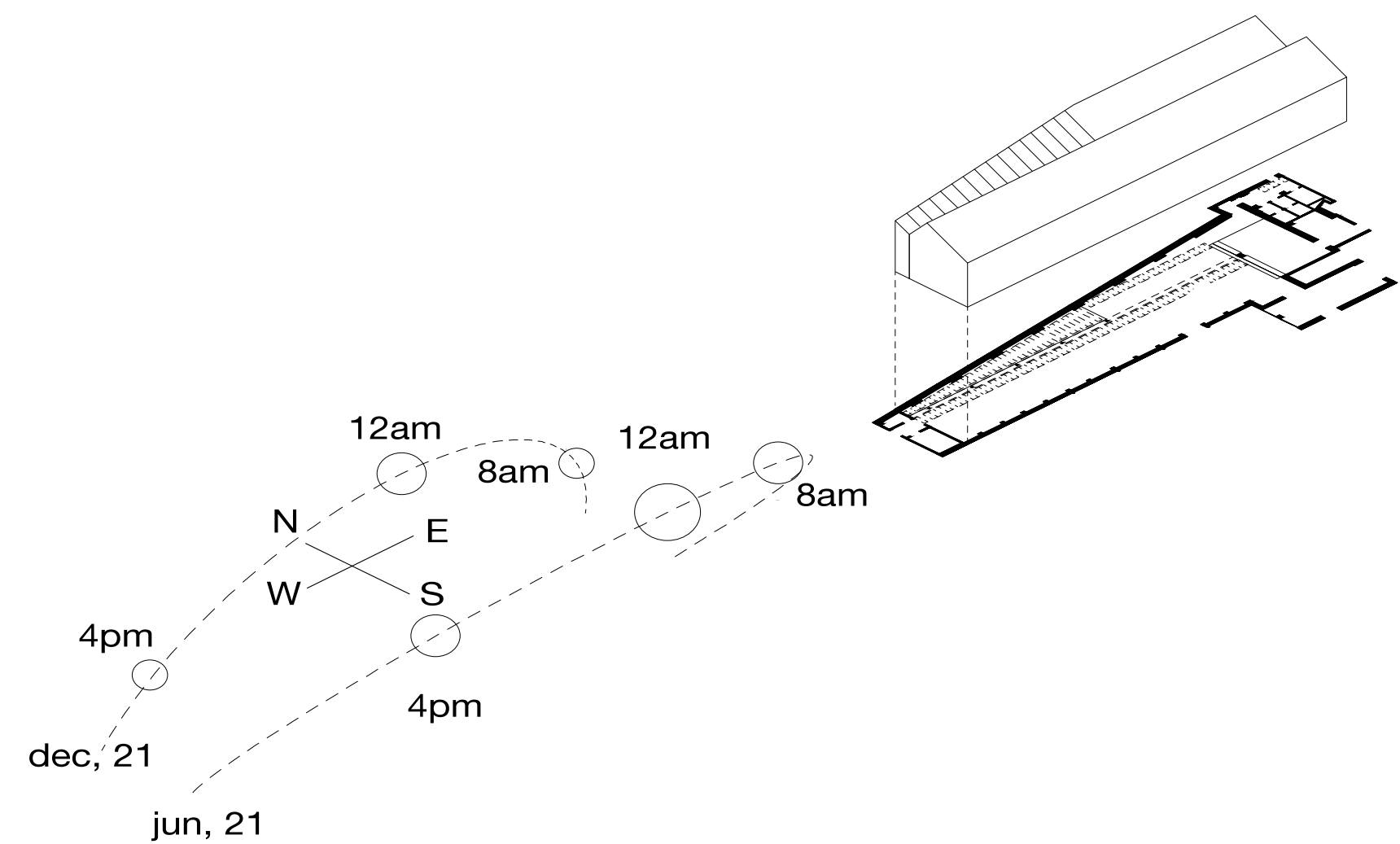
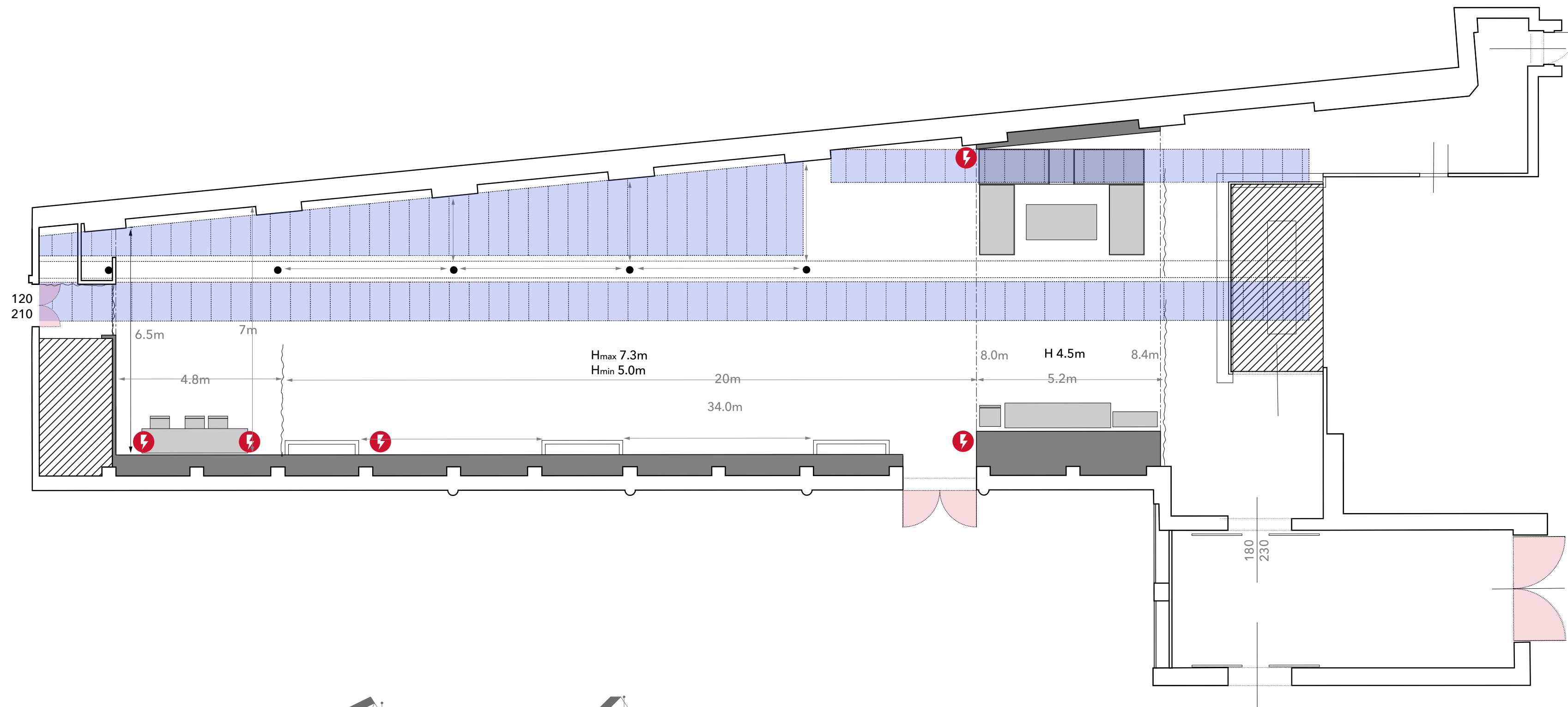
MILAN

270 SQM



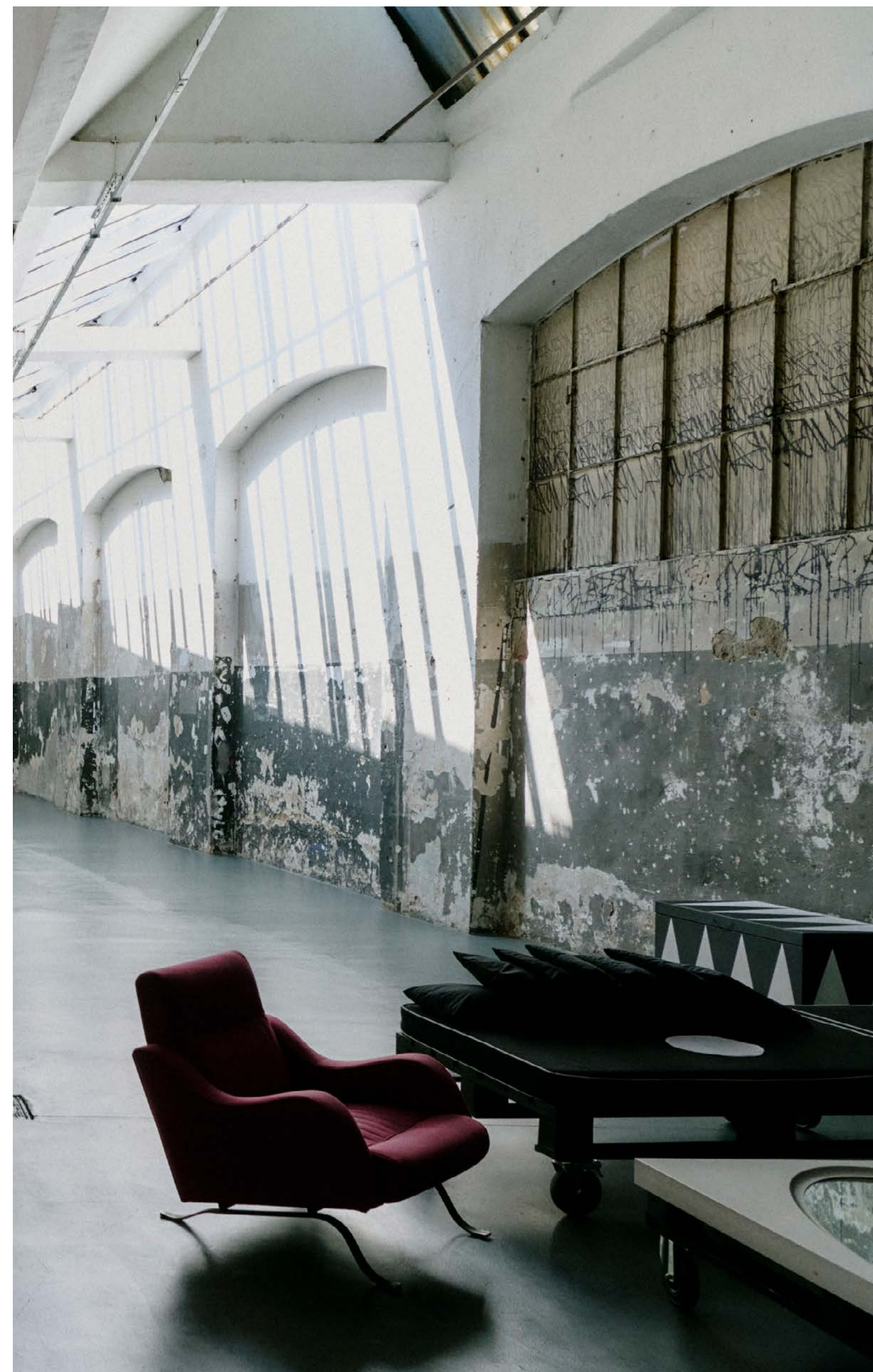
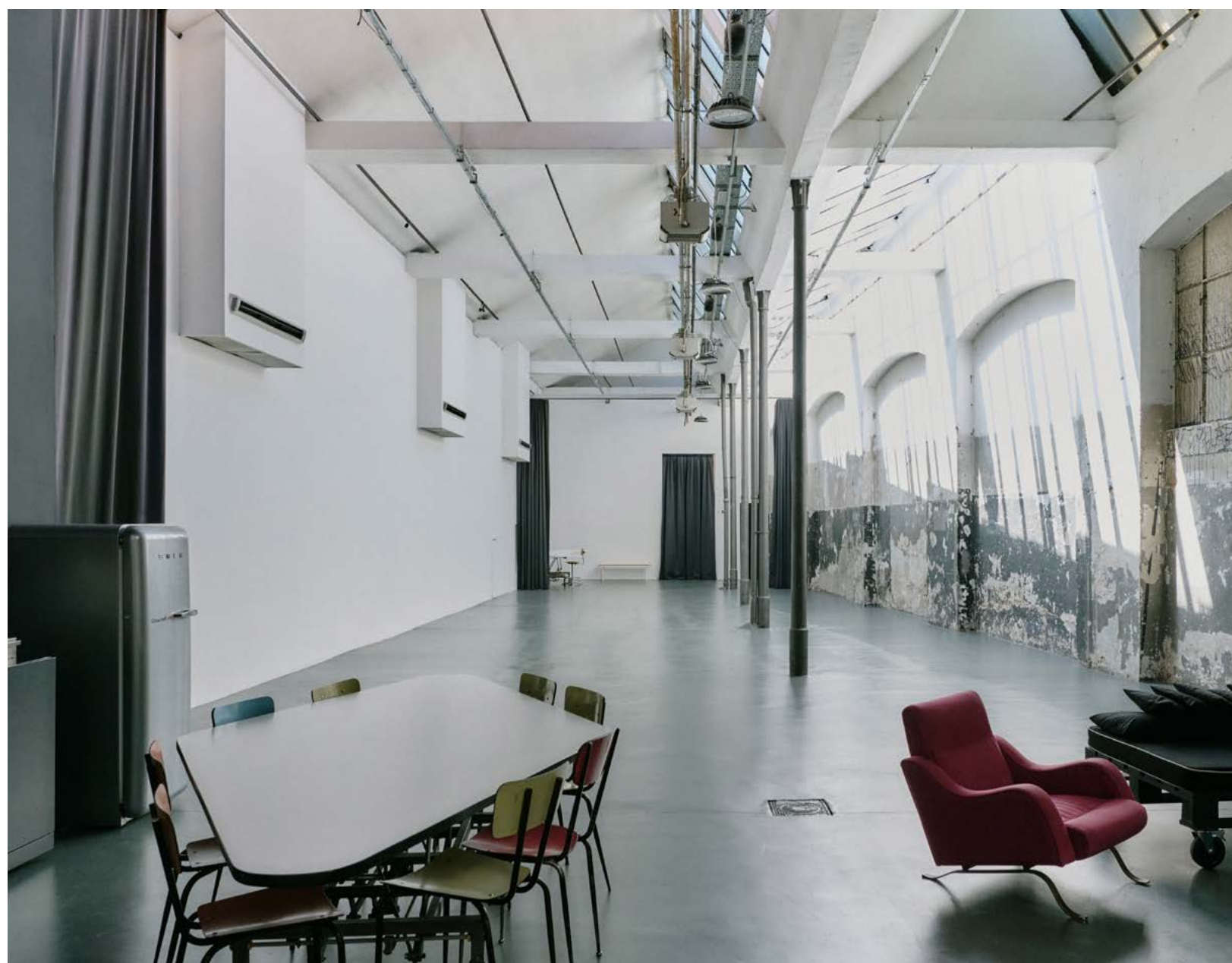
- 270 SQM**
- DAYLIGHT**
- 1900'S ORIGINAL WALLS**
- 75 KW OF POWER**
- WI-FI CONNECTION**
- HI-FI SYSTEM**
- AIR CONDITIONING**
- STYLING AREA**
- RELAX AREA**
- LUNCH AREA**
- STUDIO ASSISTANTS**

- SKYLIGHT
- DOORS
- ⚡ OUTLET
- FURNITURE
- / / / / / NOT ACCESSIBLE



A versatile space characterized by high ceilings and distinctive walls, it is ideal for photoshoots, fashion runways, exhibitions and events.





circus@circustudios.com

1009

CIRCUS STUDIOS

2024 ©

STUDIOS AND SPACES

1009